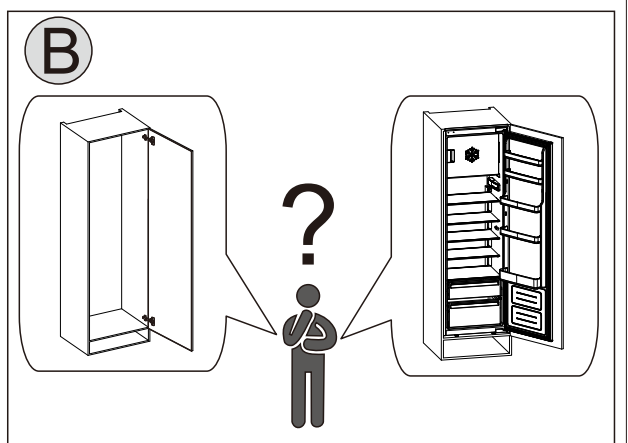
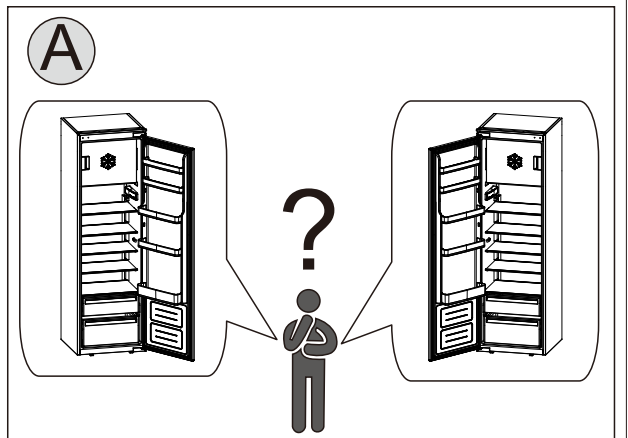
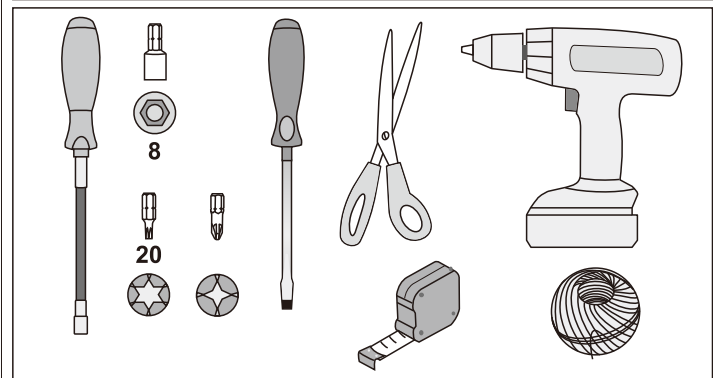
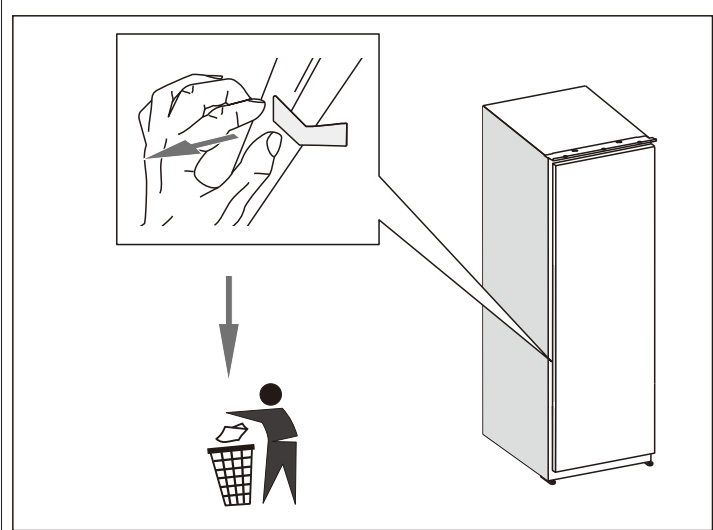
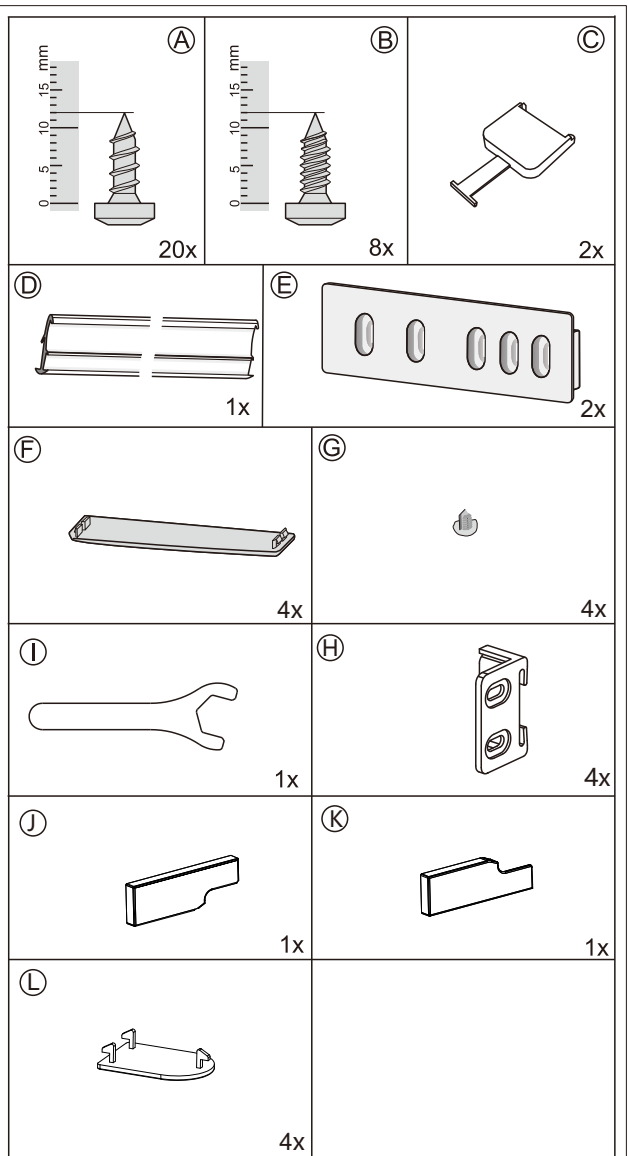
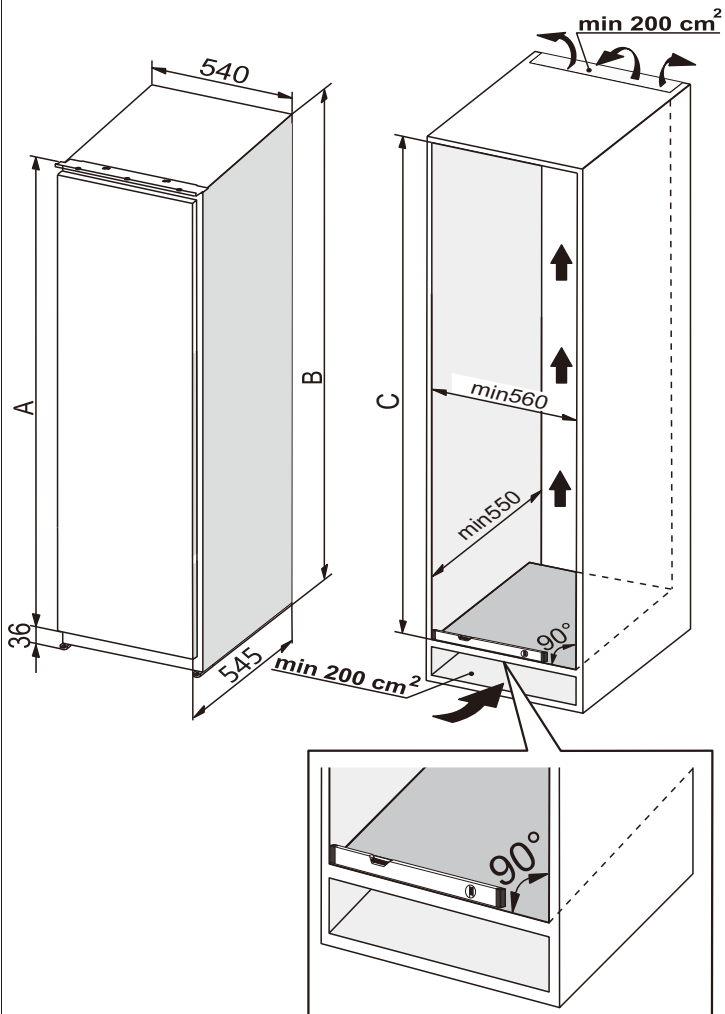


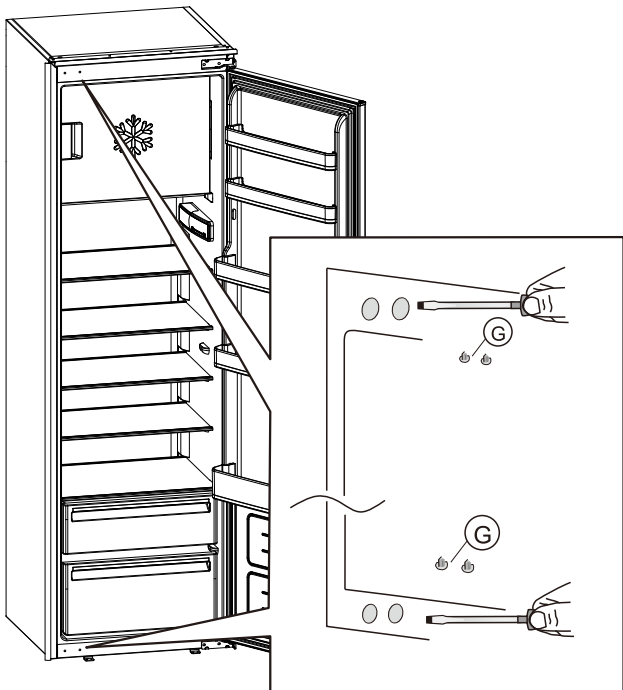


A (mm)	B (mm)	C (mm)
1733	1769	1771-1775

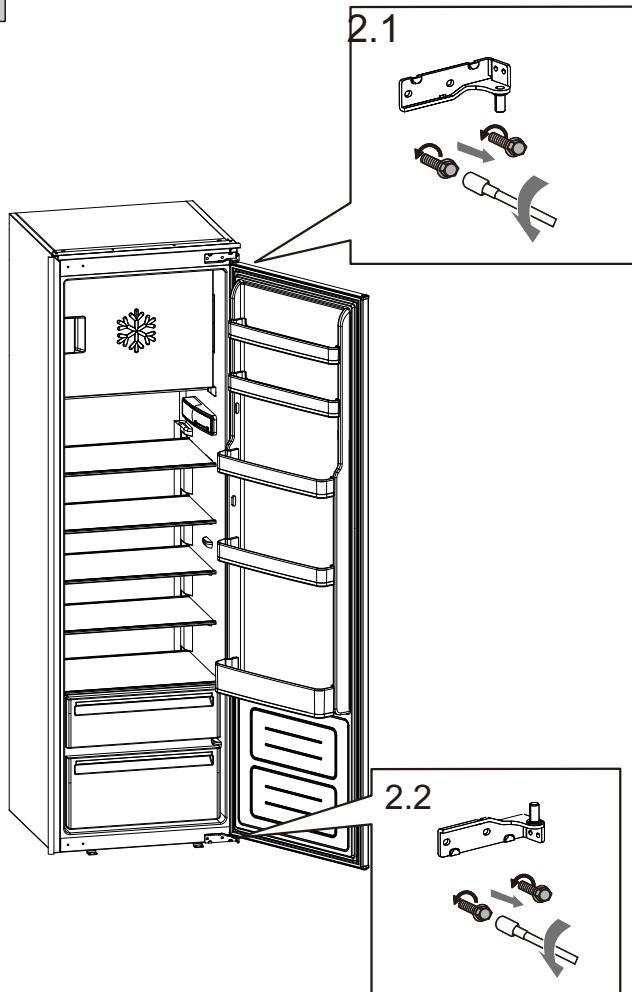


A

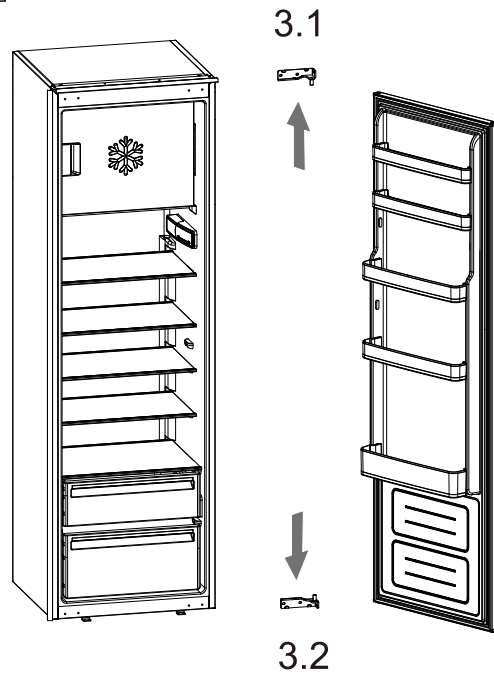
1



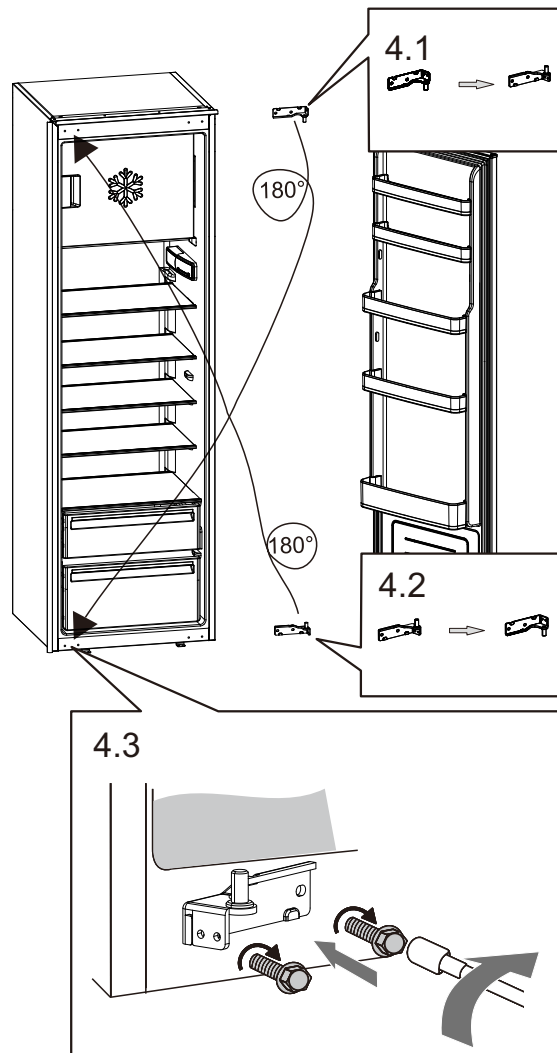
2



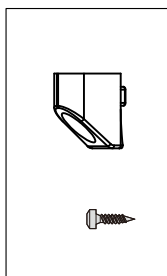
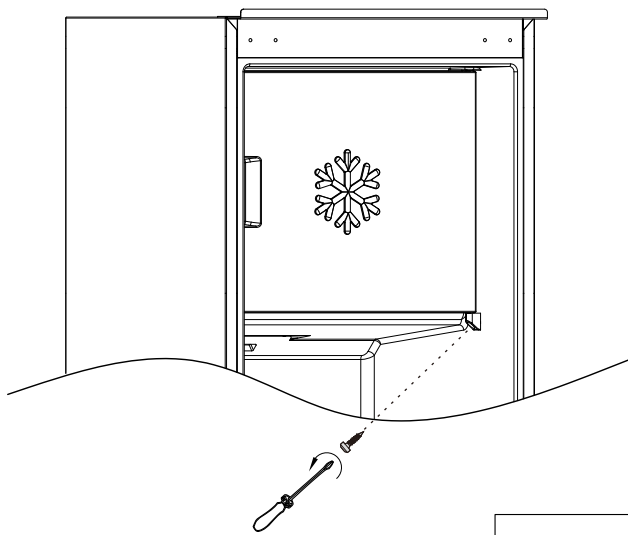
3



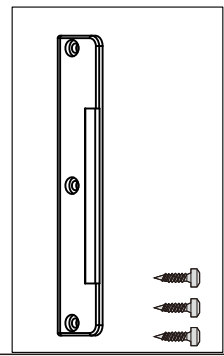
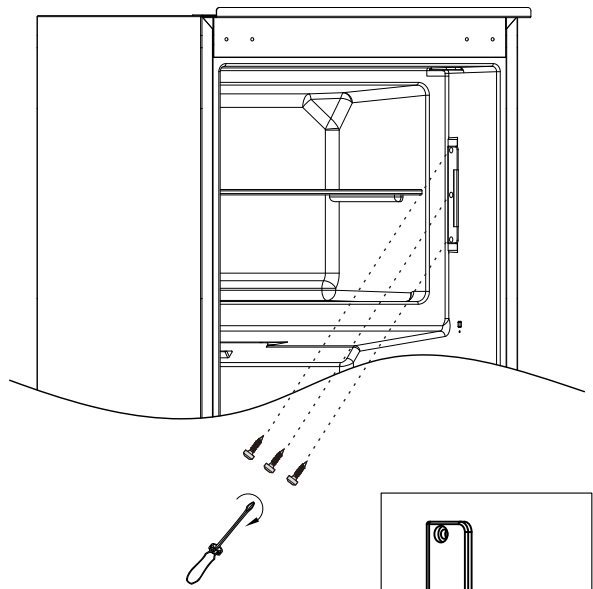
4



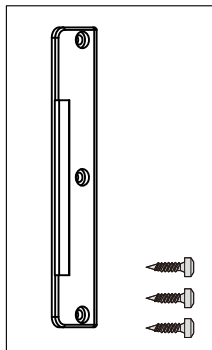
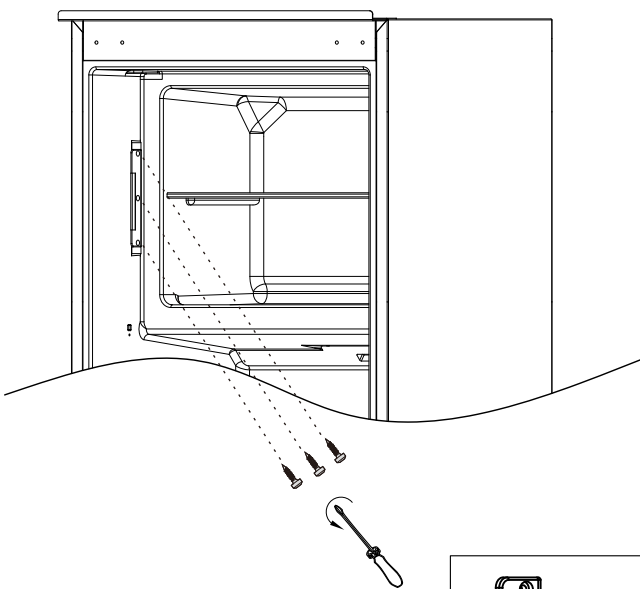
5



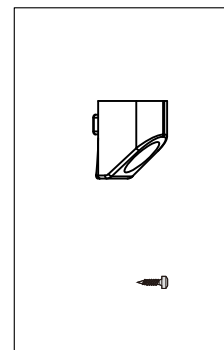
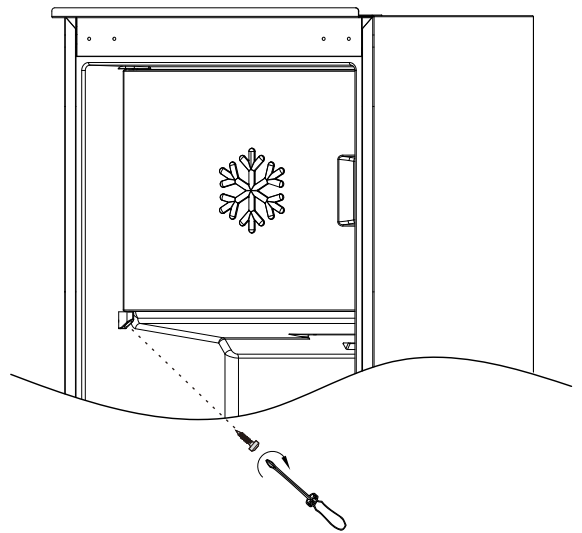
7



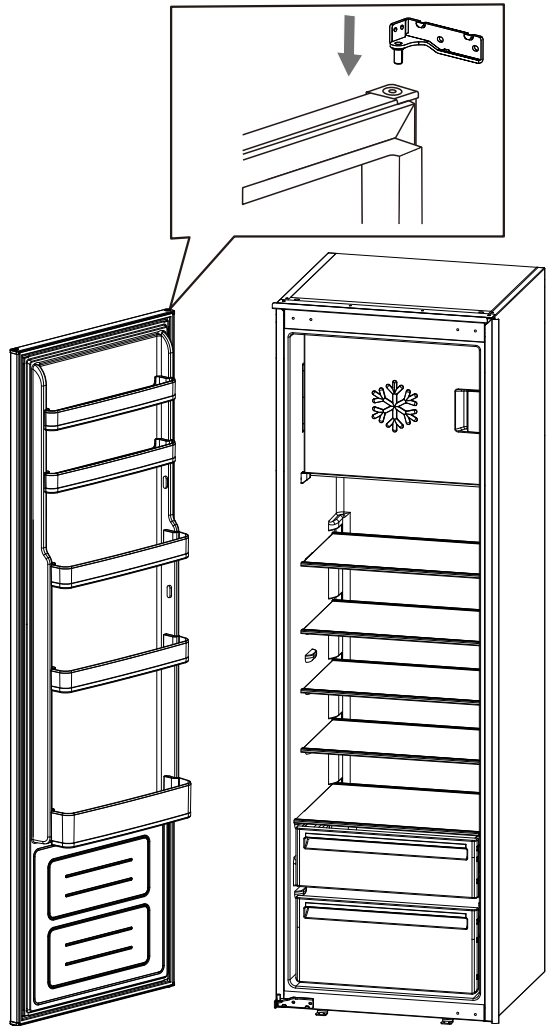
6



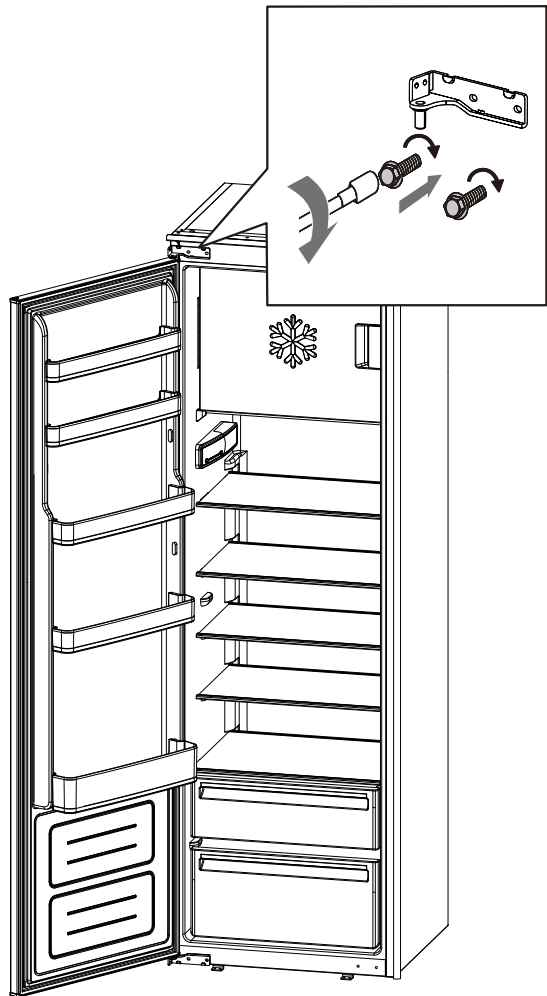
8



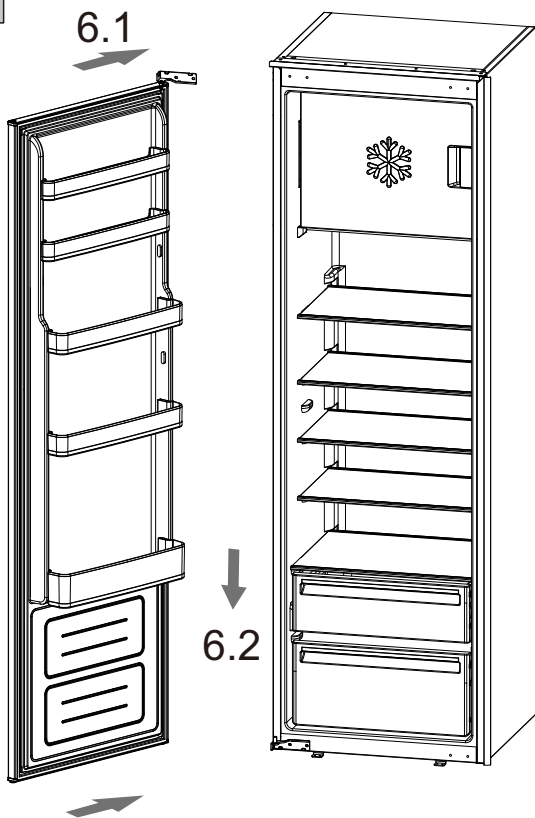
9



11

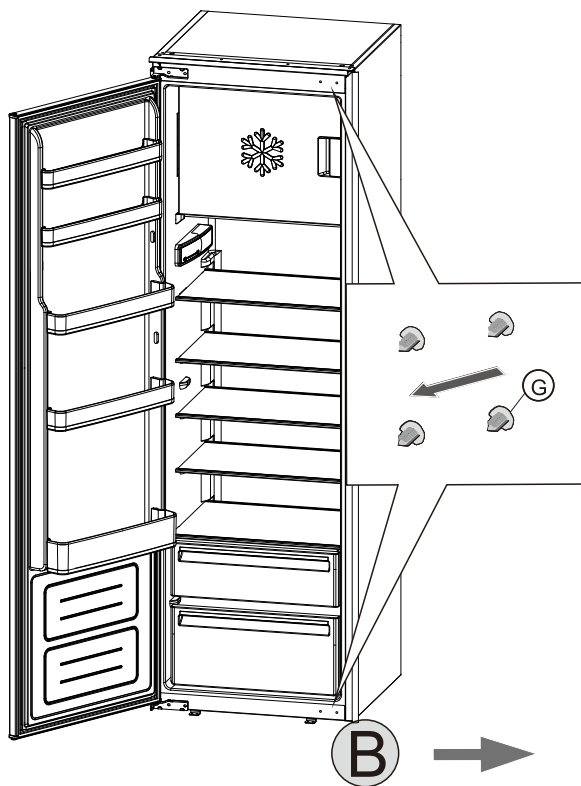


10

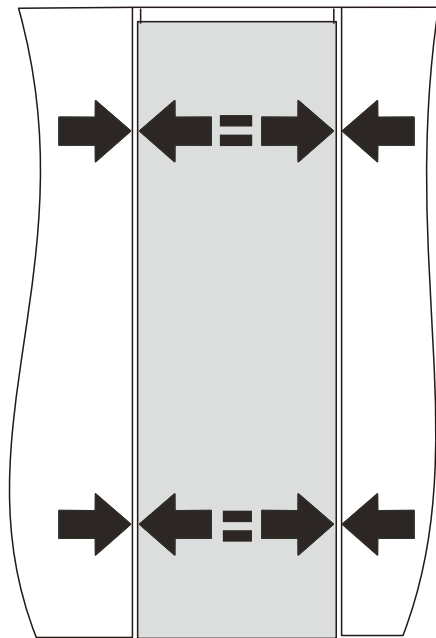
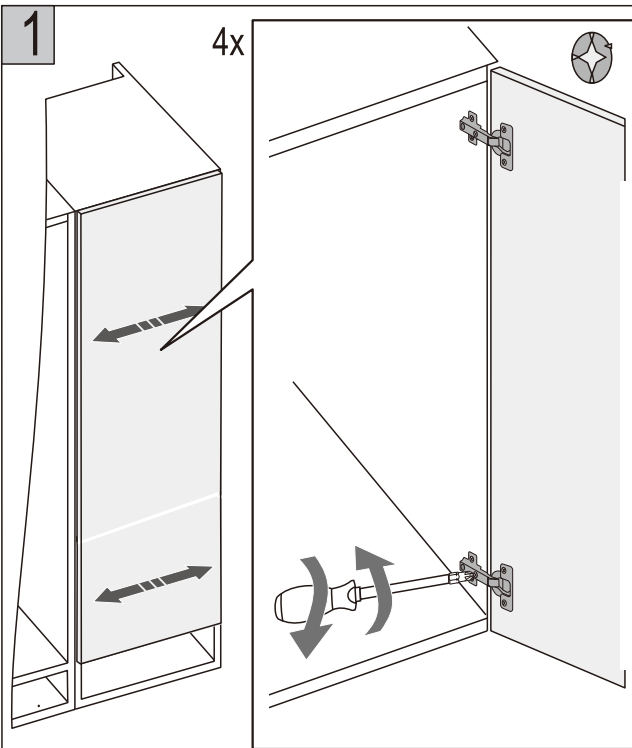


12

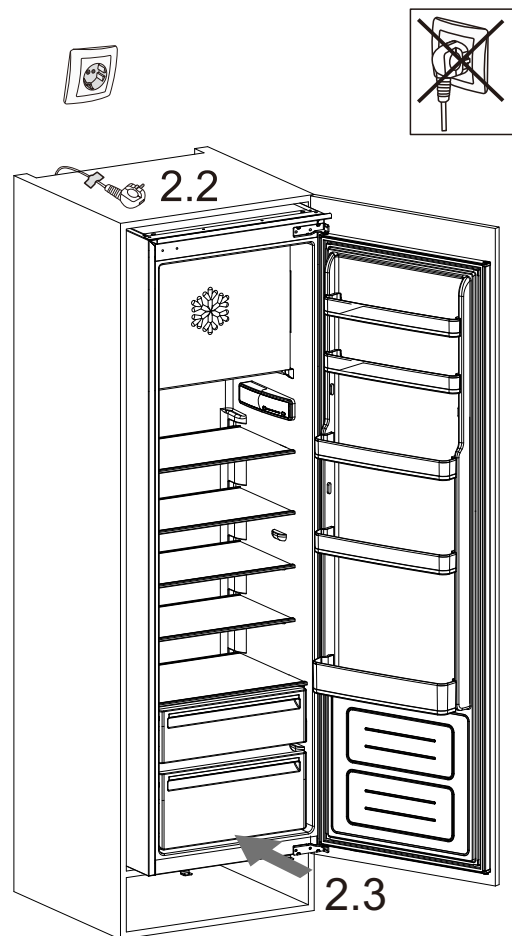
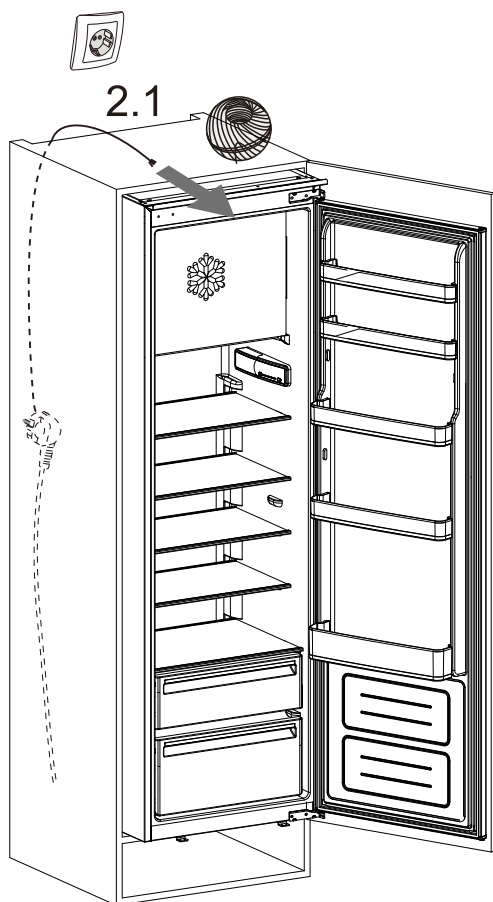
G 4x



B

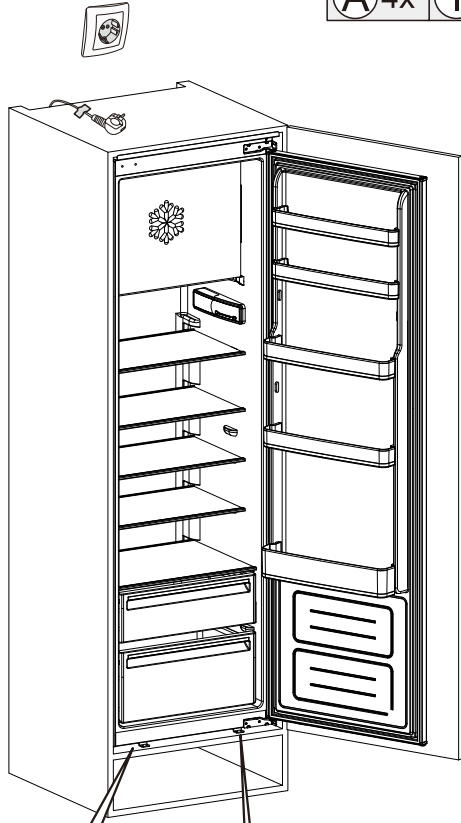


2



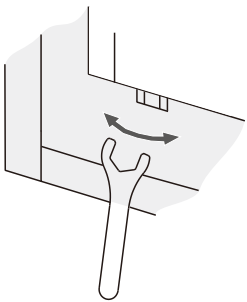
3

A 4x I 1x



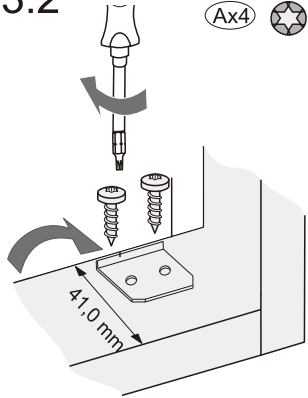
3.1

Ix1

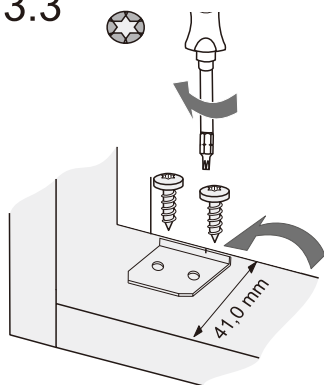


3.2

Ax4

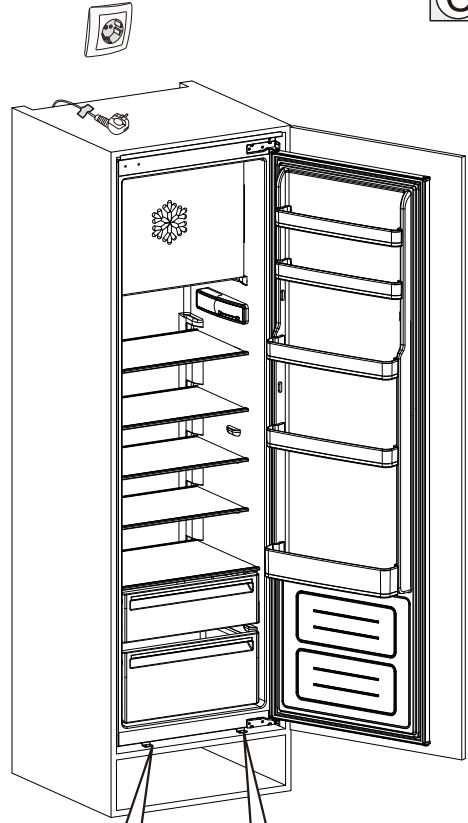


3.3

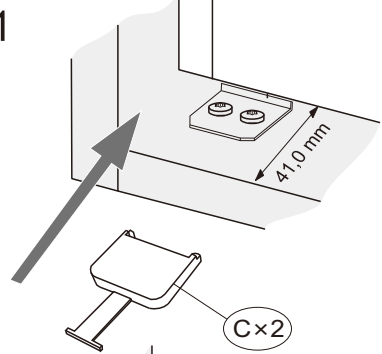


4

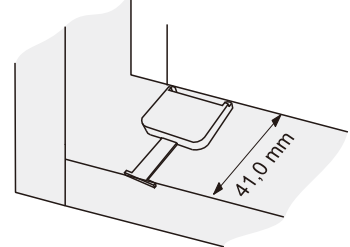
C 2x



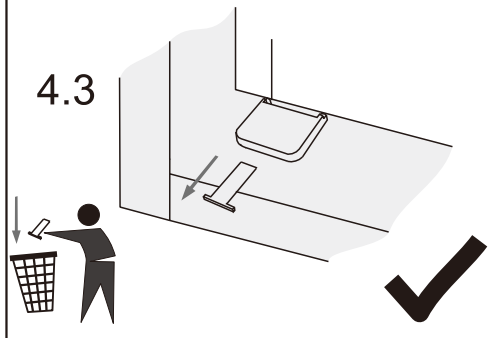
4.1



4.2

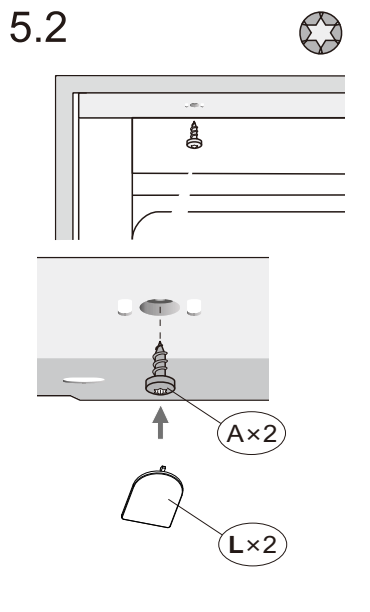
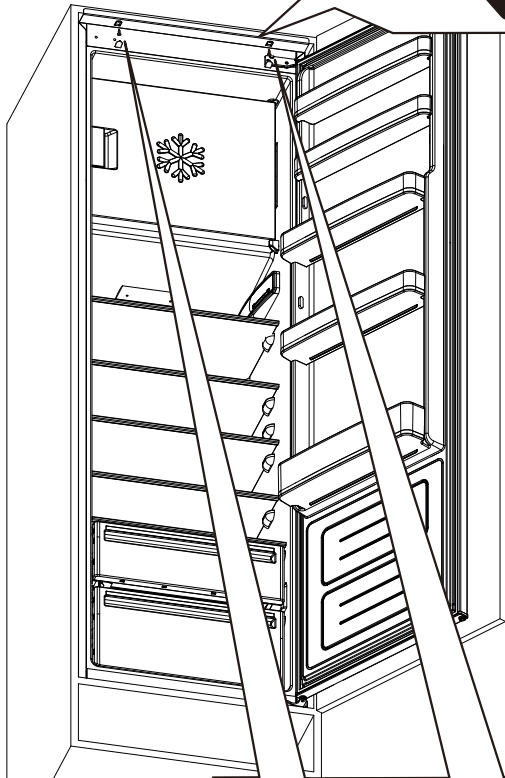
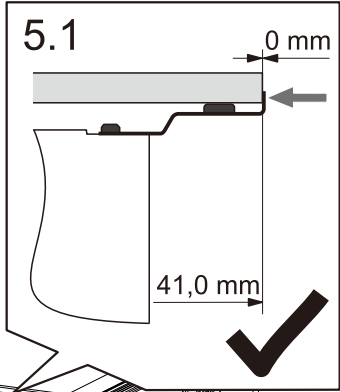


4.3



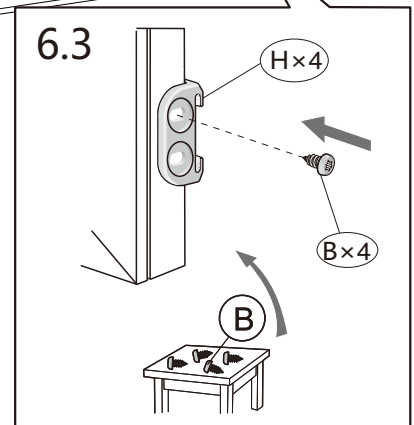
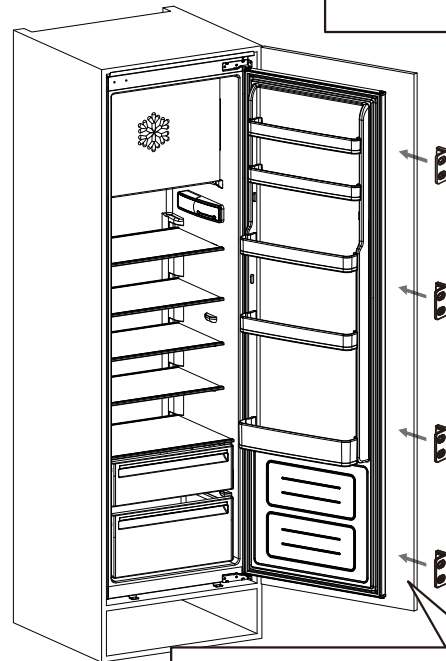
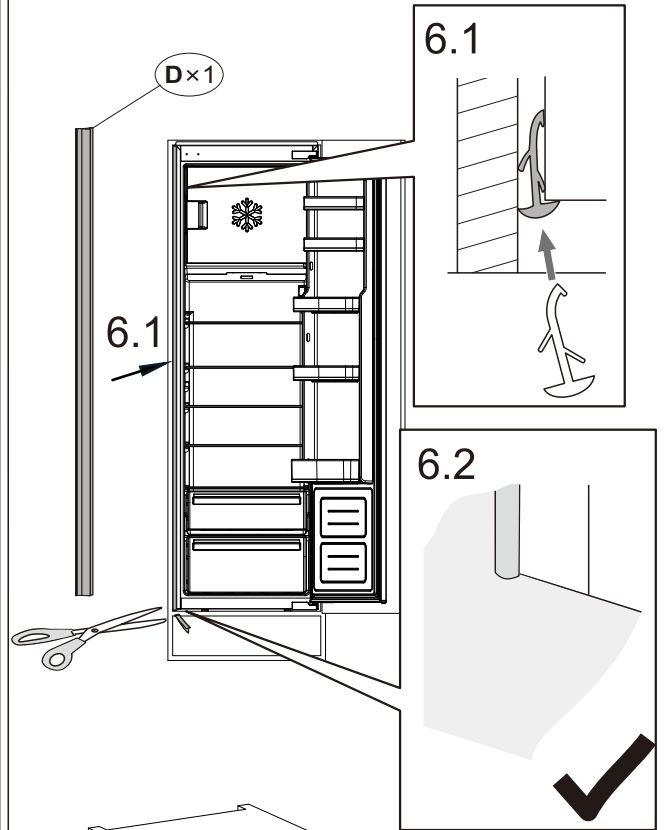
5

(L) 2x (A) 2x

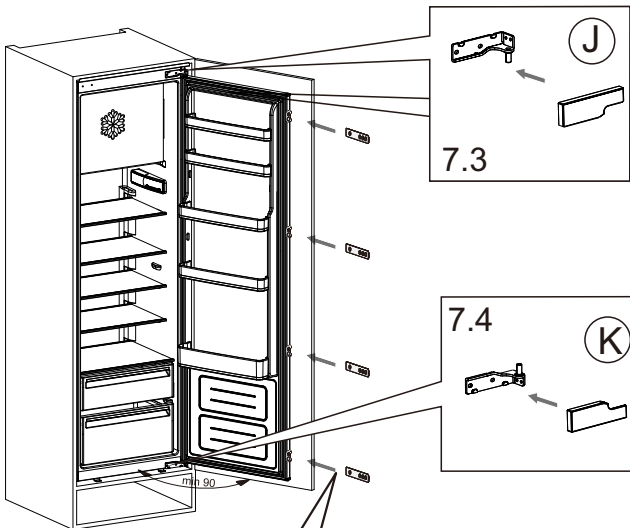


6

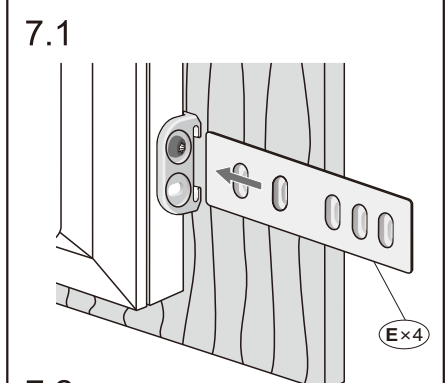
(H) 4x (B) 4x (D) 1x



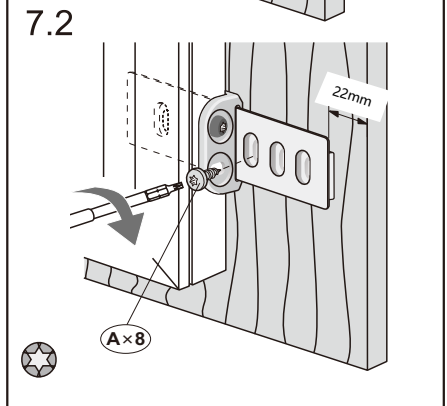
7 J 1x K 1x E 4x A 8x



4x

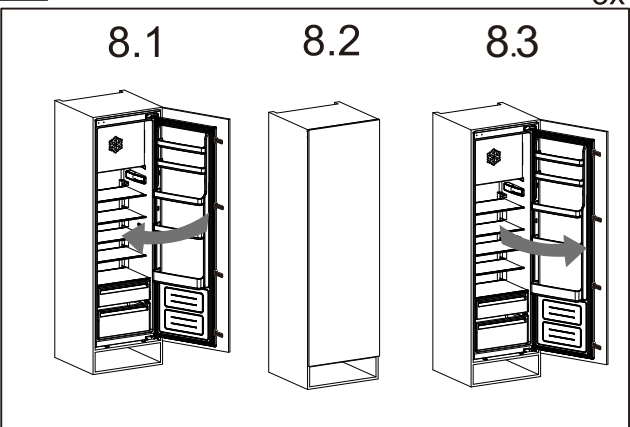


E x 4

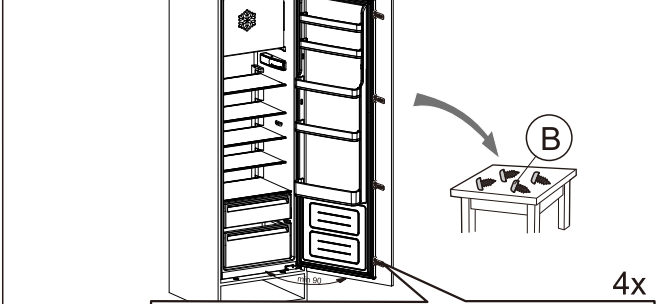


A x 8

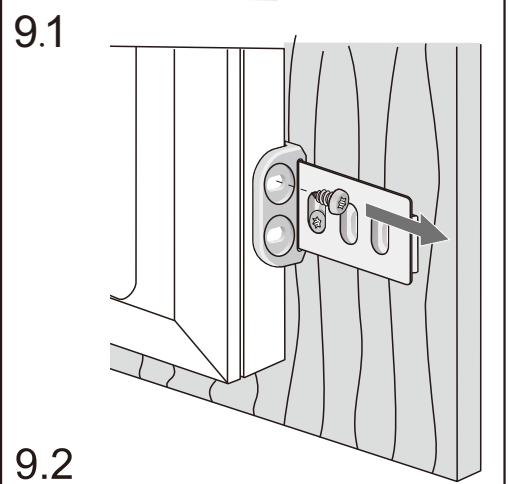
8 3x



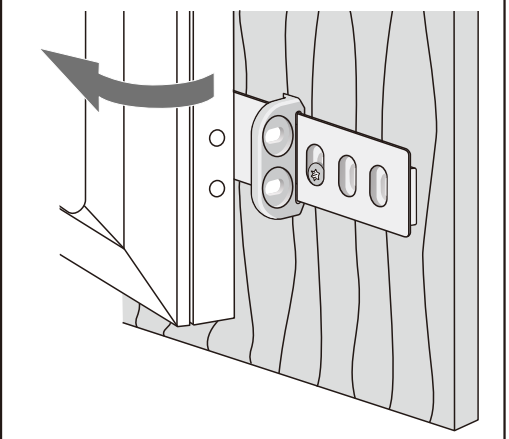
9 B 2x



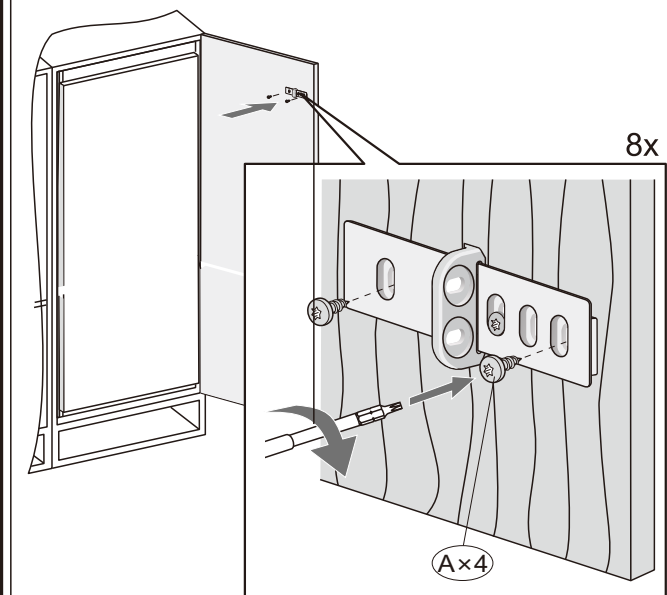
4x



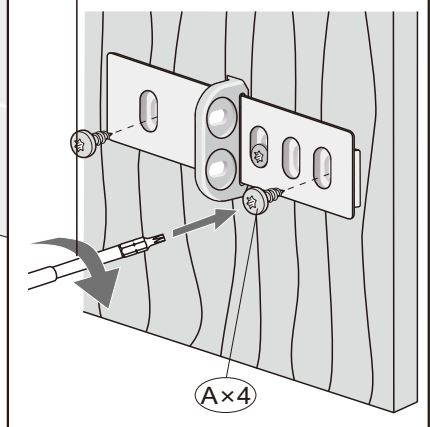
9.2



10 A 4x



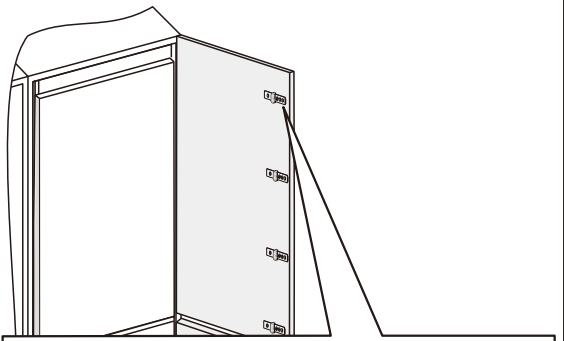
8x



A x 4

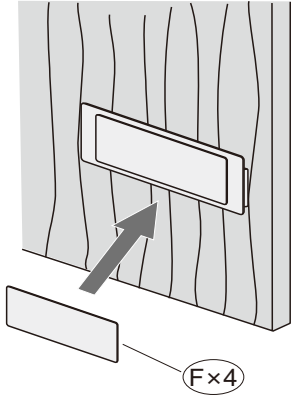
11

F 4x B 8x

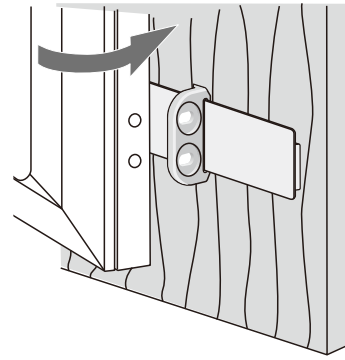


11.1

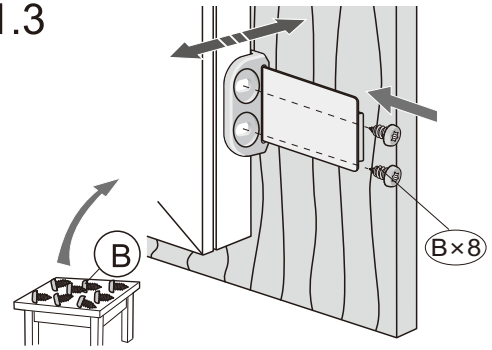
4x



11.2



11.3



b

