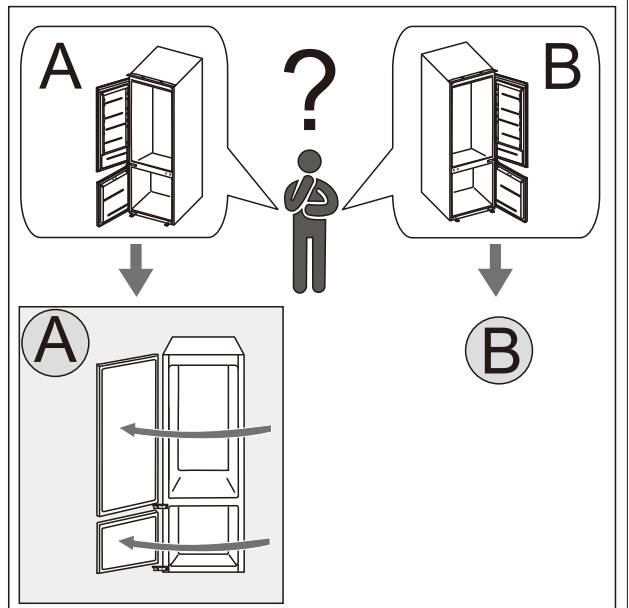
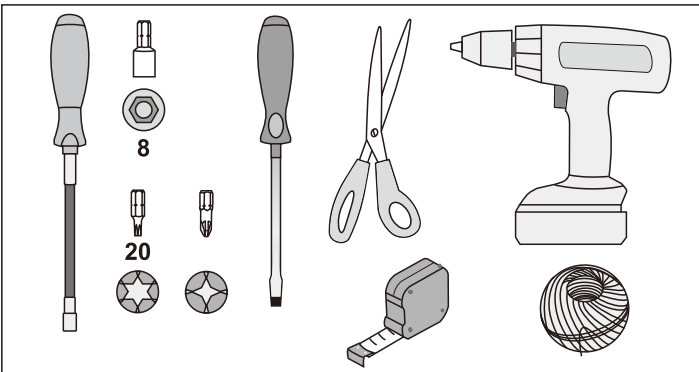
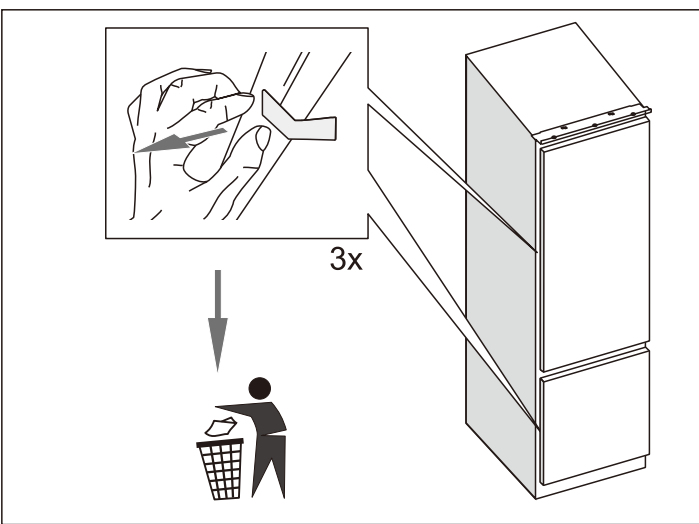
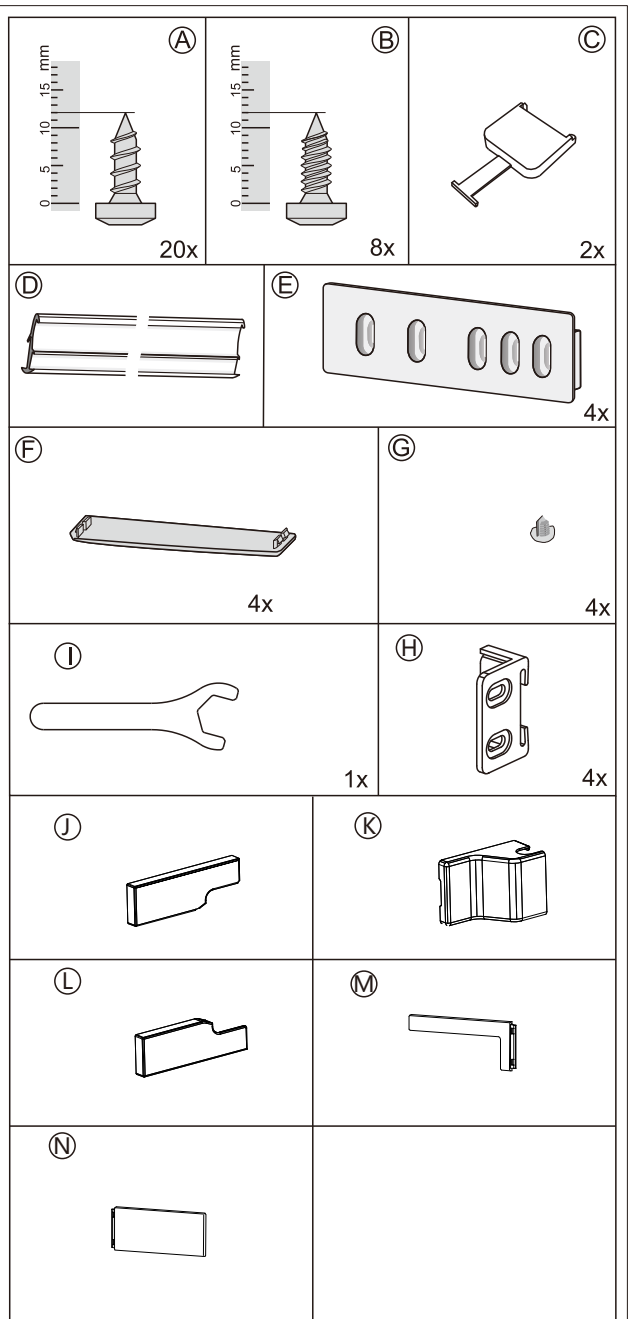
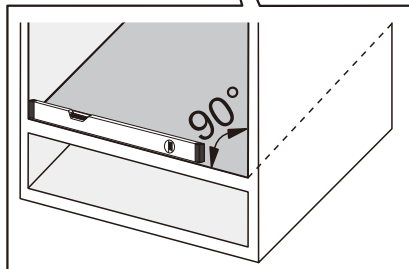
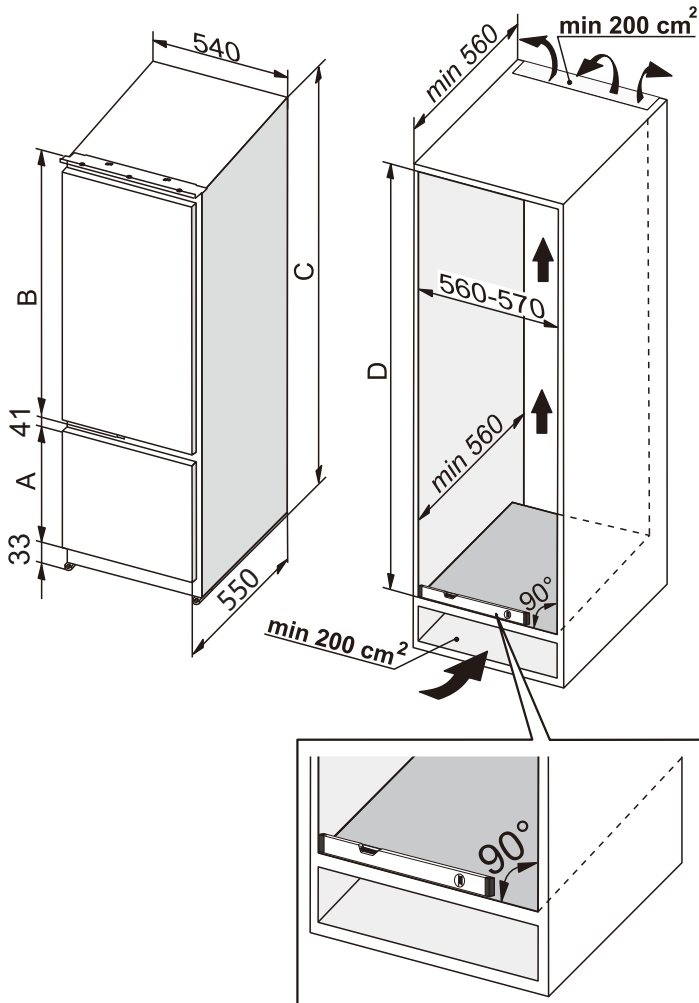


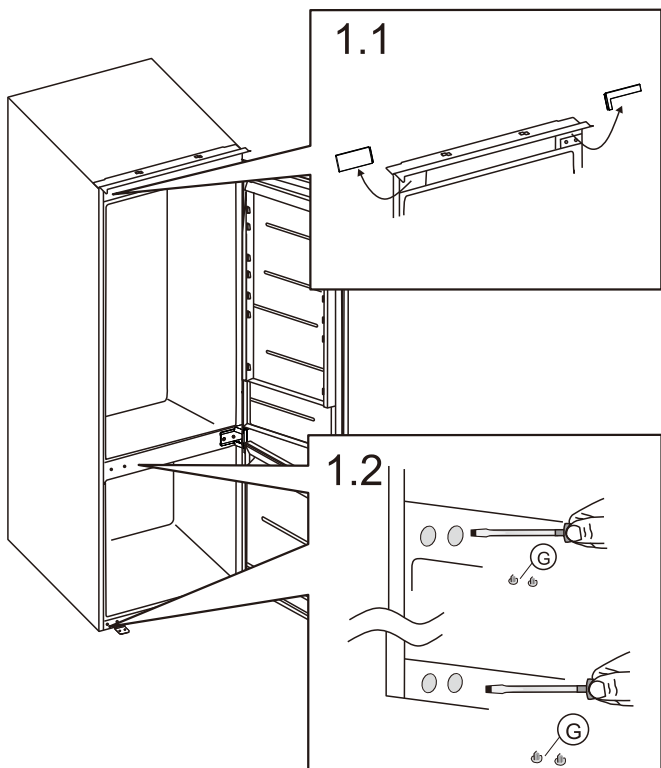


A (mm)	B (mm)	C (mm)	D (mm)
640	1223	1937	1939-1942

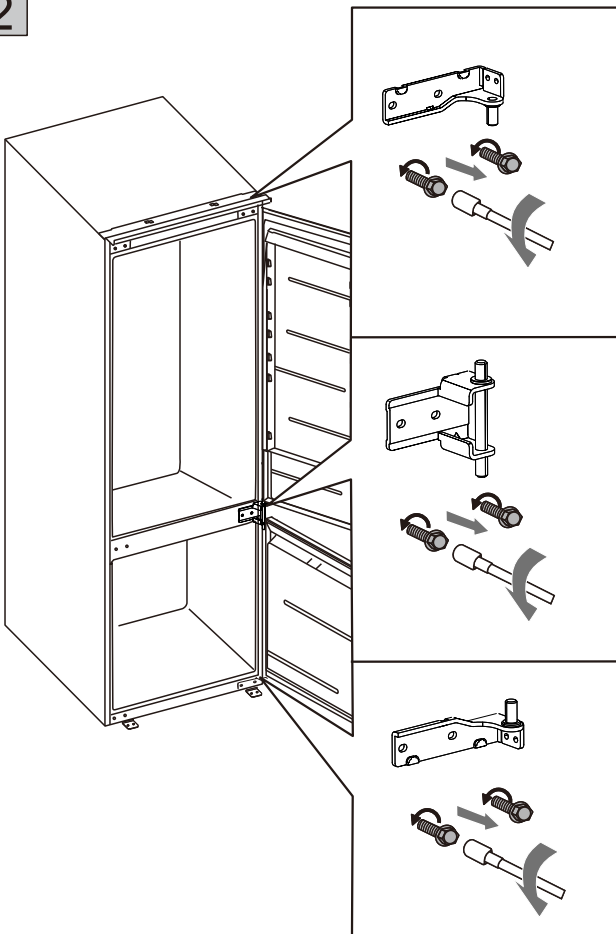


A

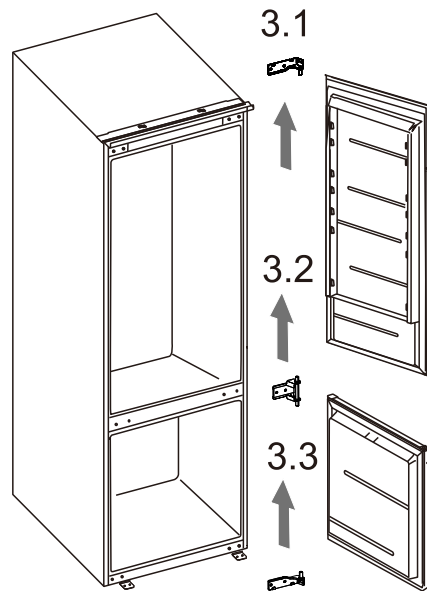
1



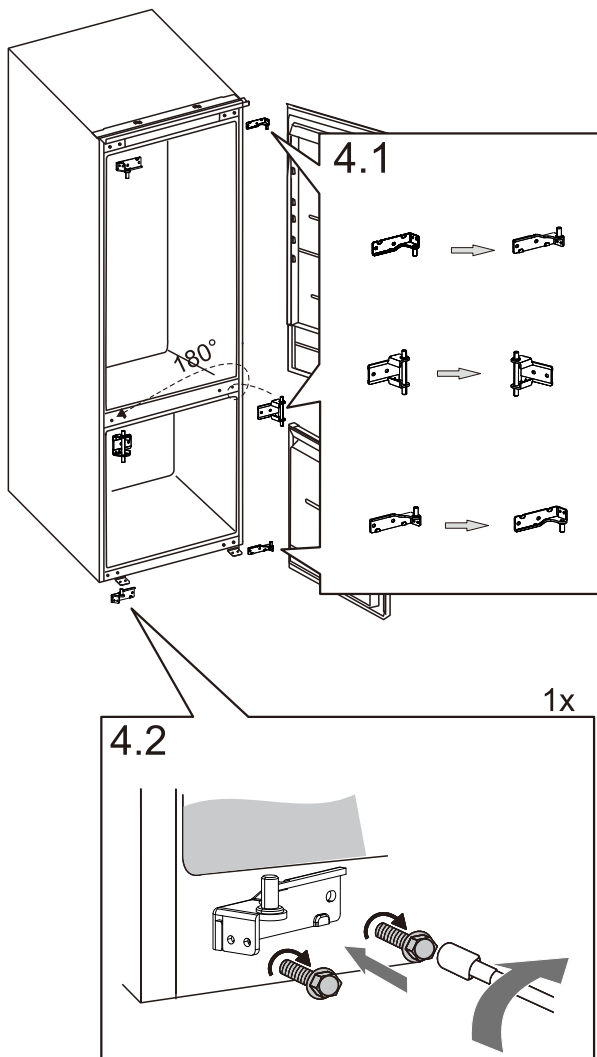
2

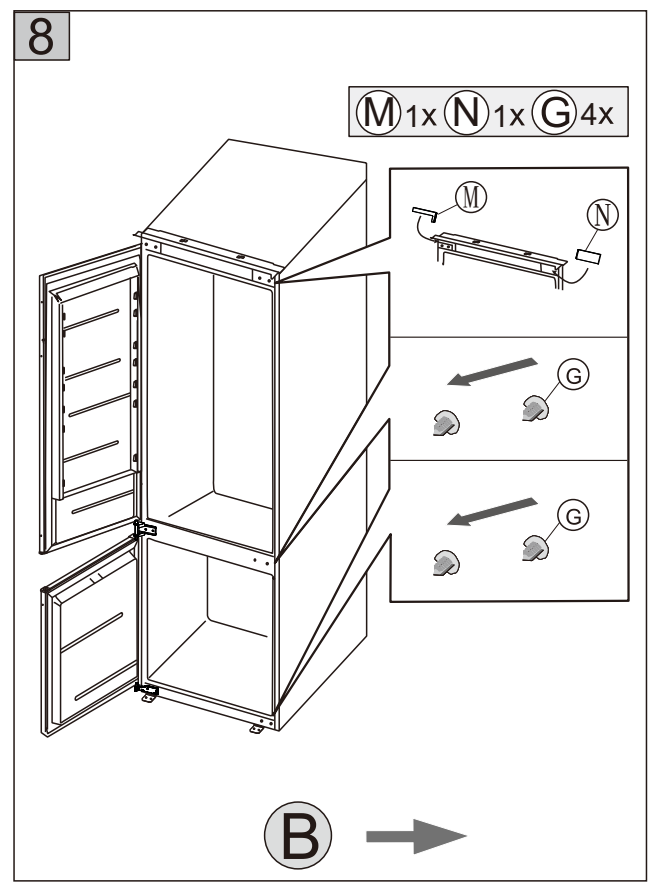
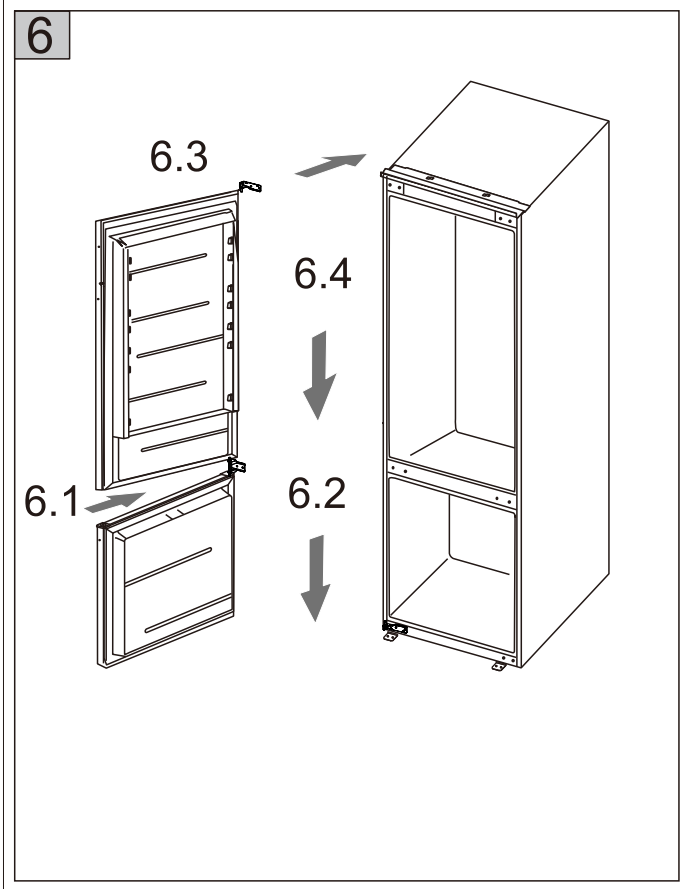
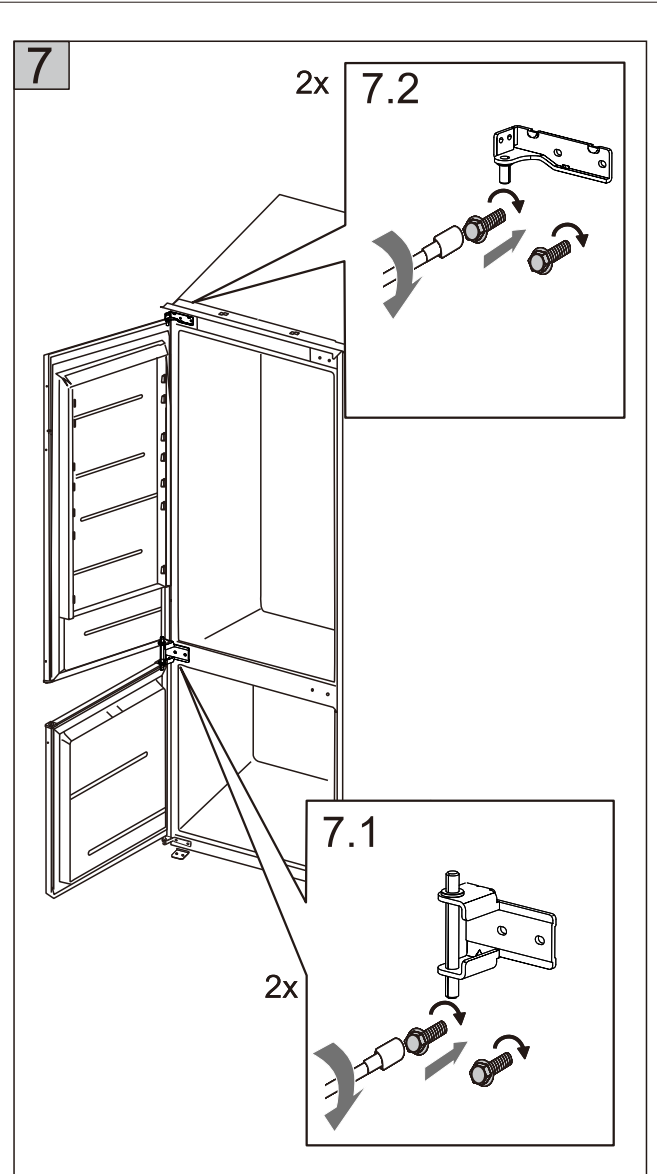
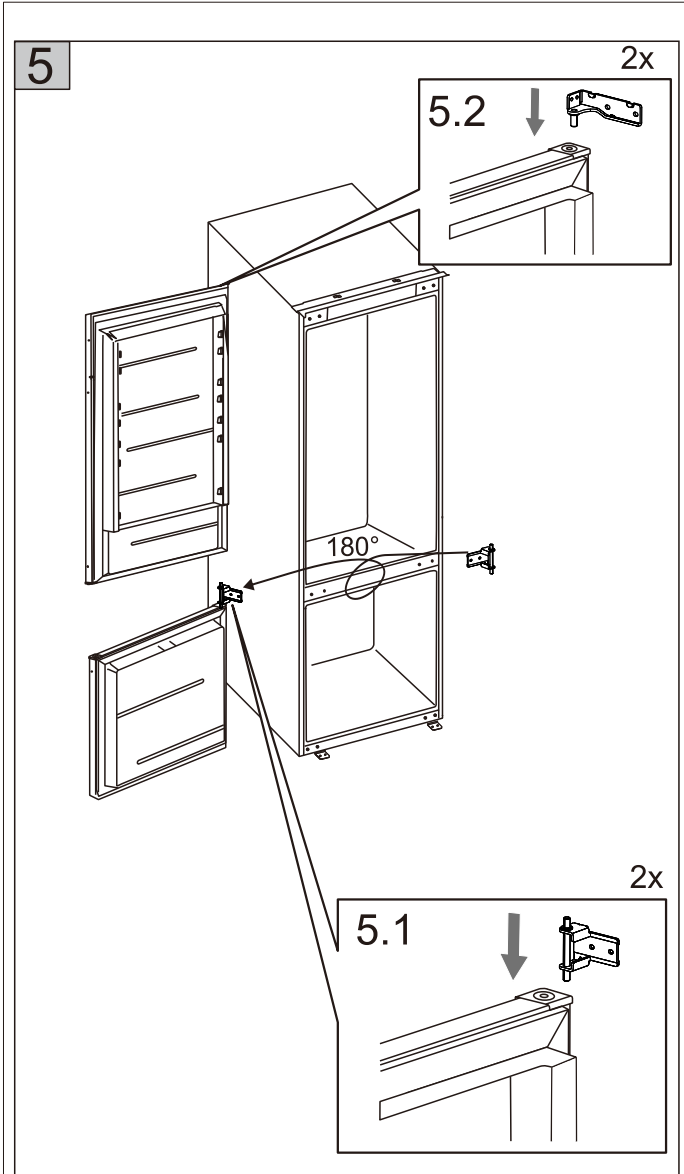


3

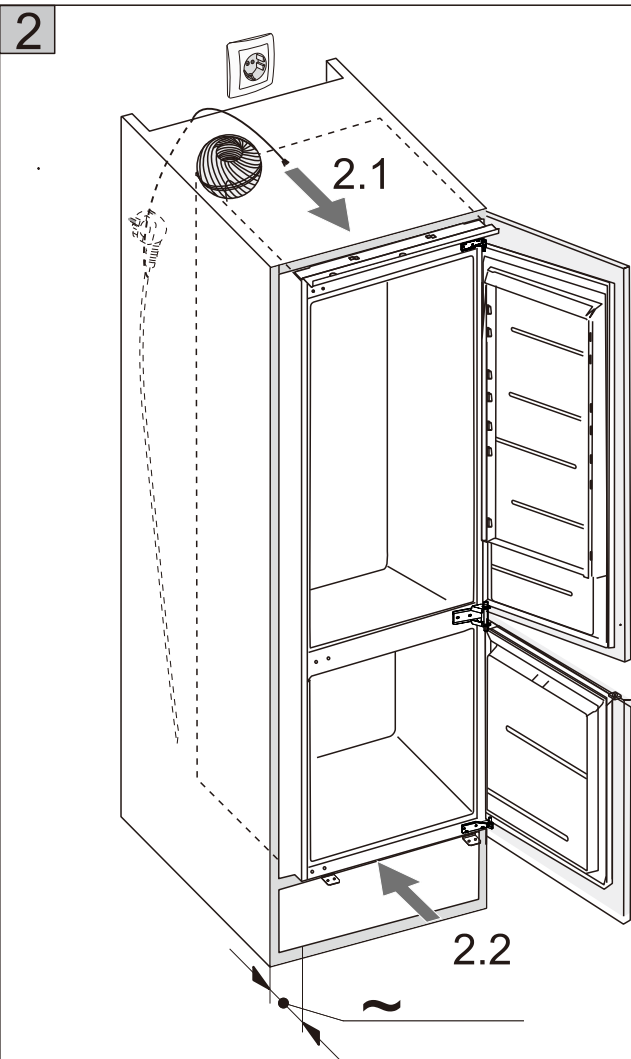
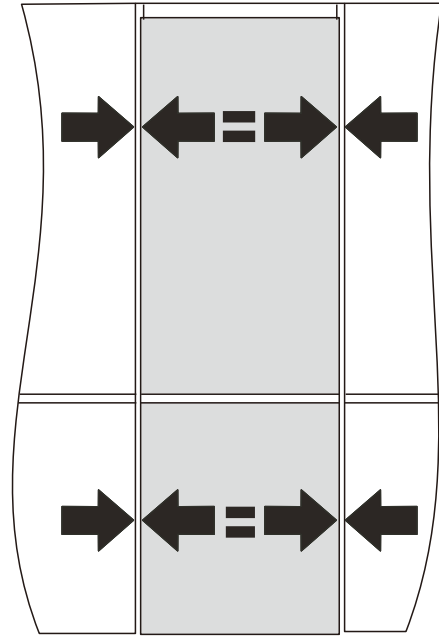
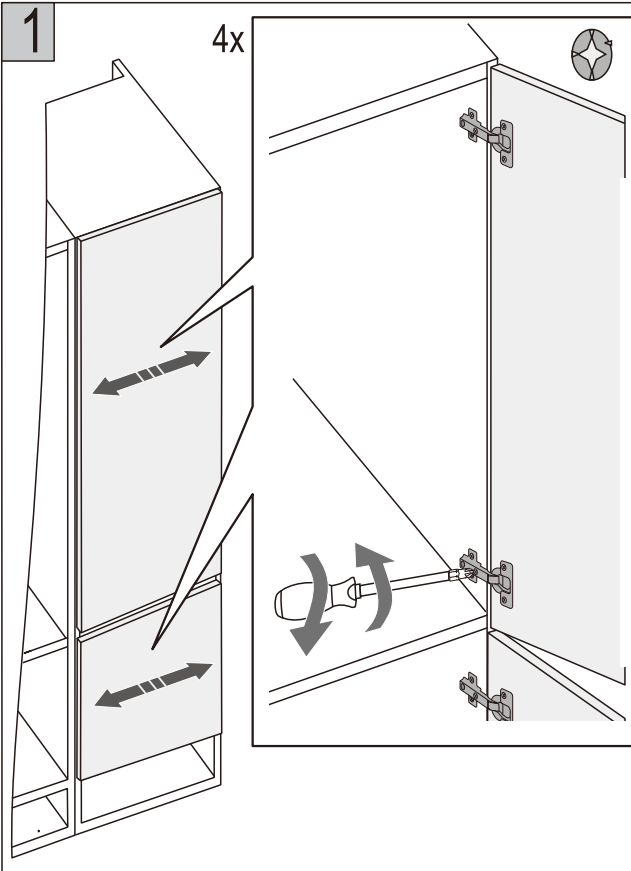


4





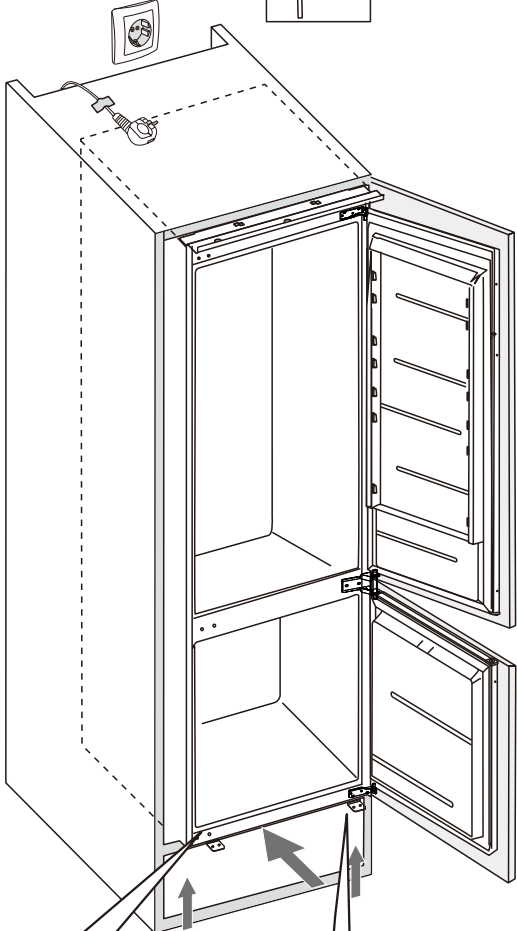
B



3

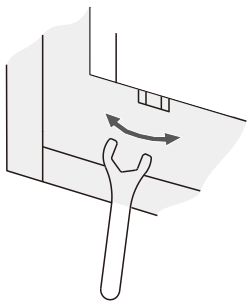


A 4x I 1x



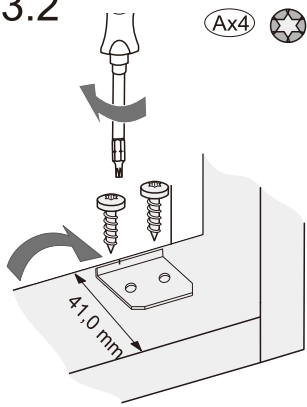
3.1

Ix1

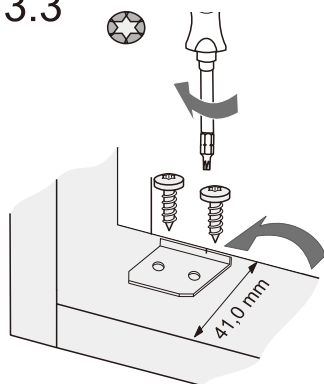


3.2

Ax4

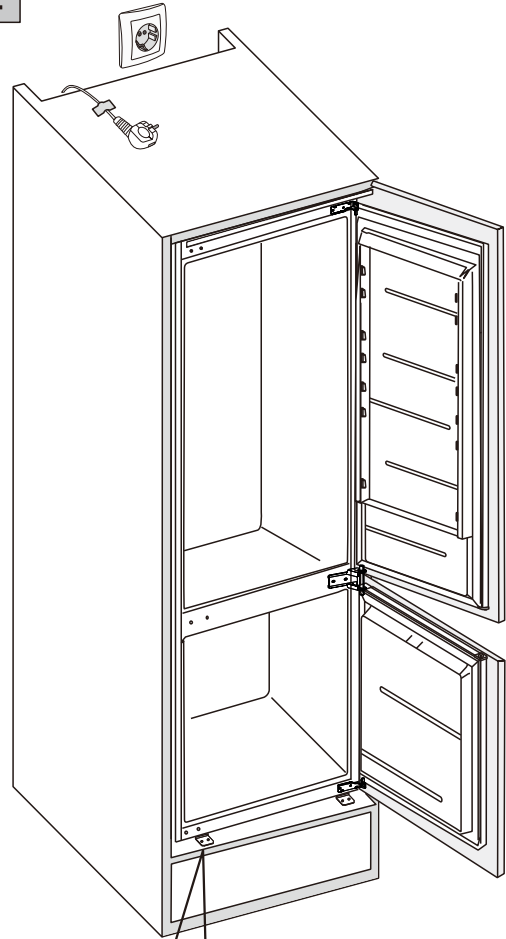


3.3

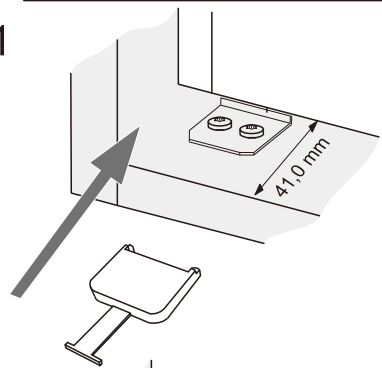


4

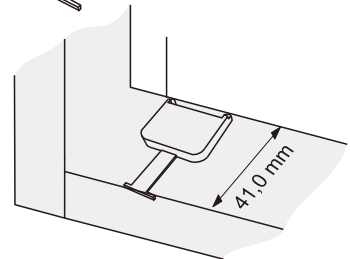
C 2x



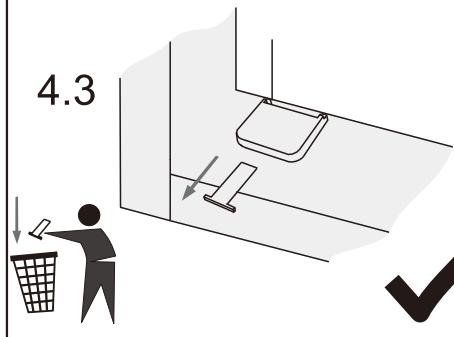
4.1



4.2

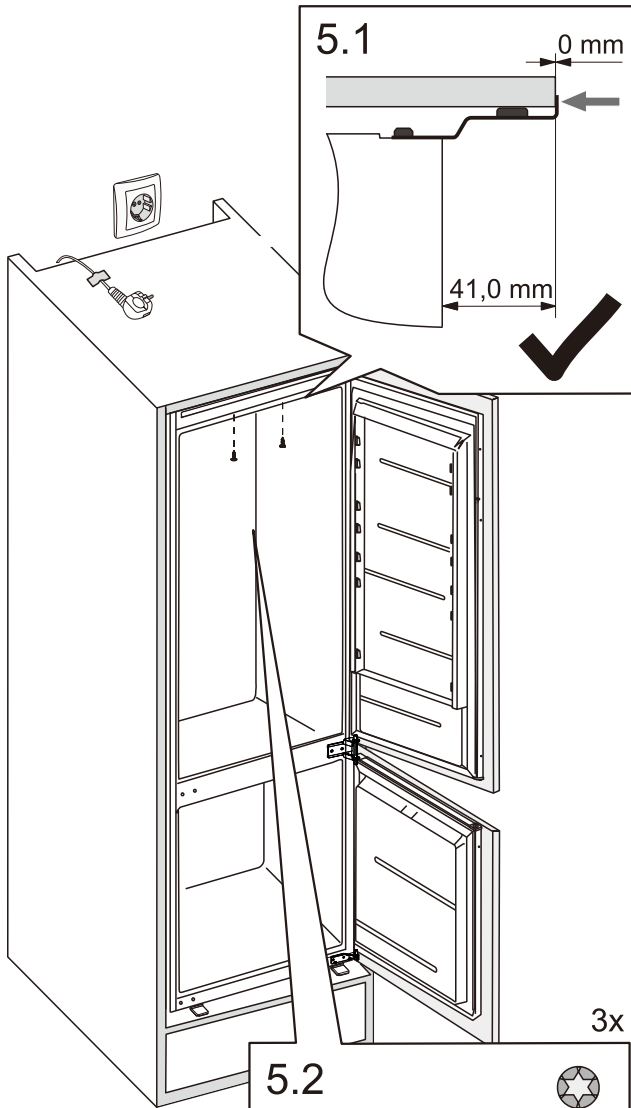


4.3



5

(A) 4x



5.1

0 mm

41,0 mm

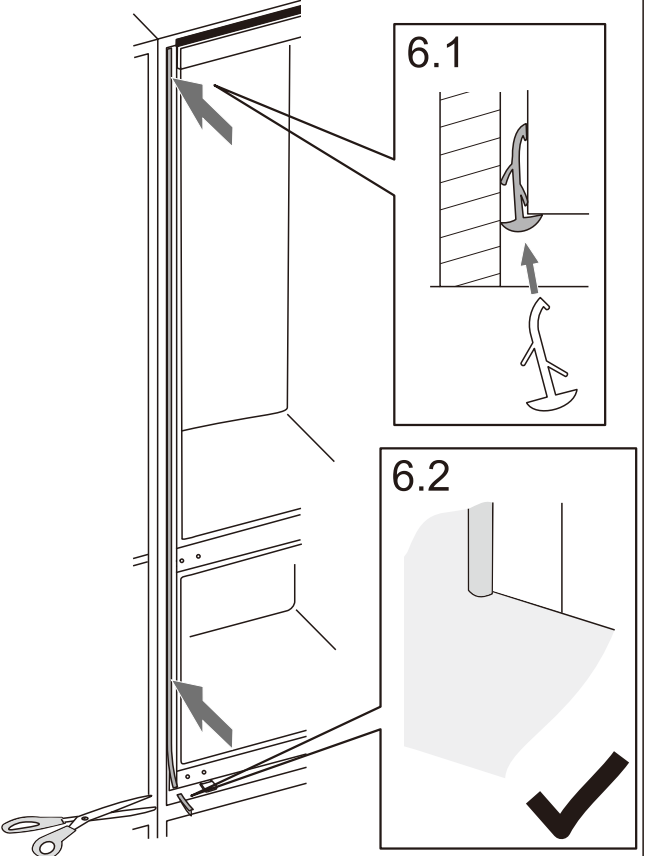
3x

5.2

Ax3

6

(H) 4x (B) 4x (D) 1x



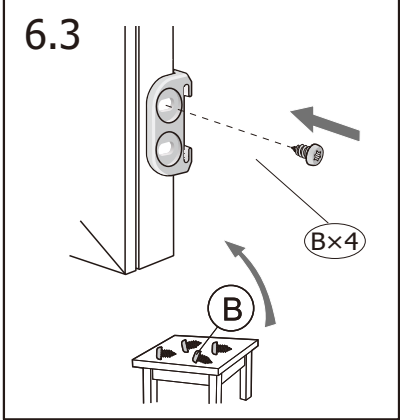
6.1

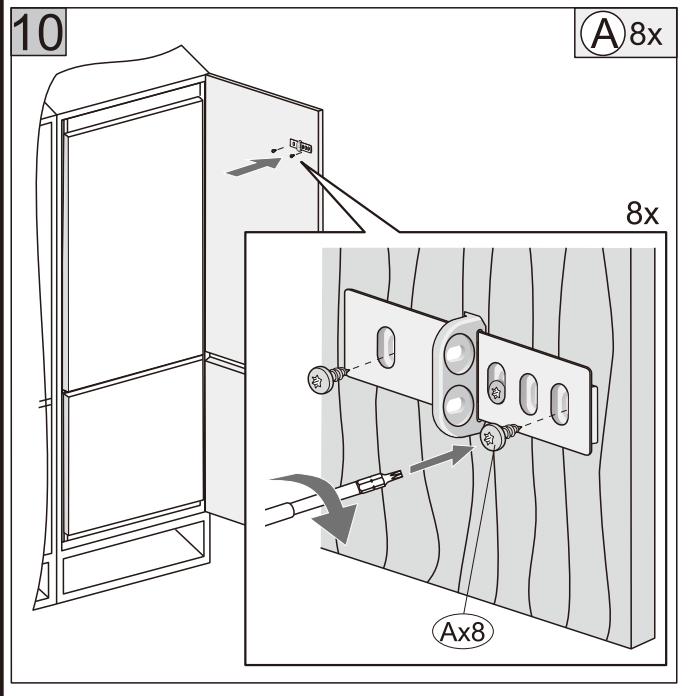
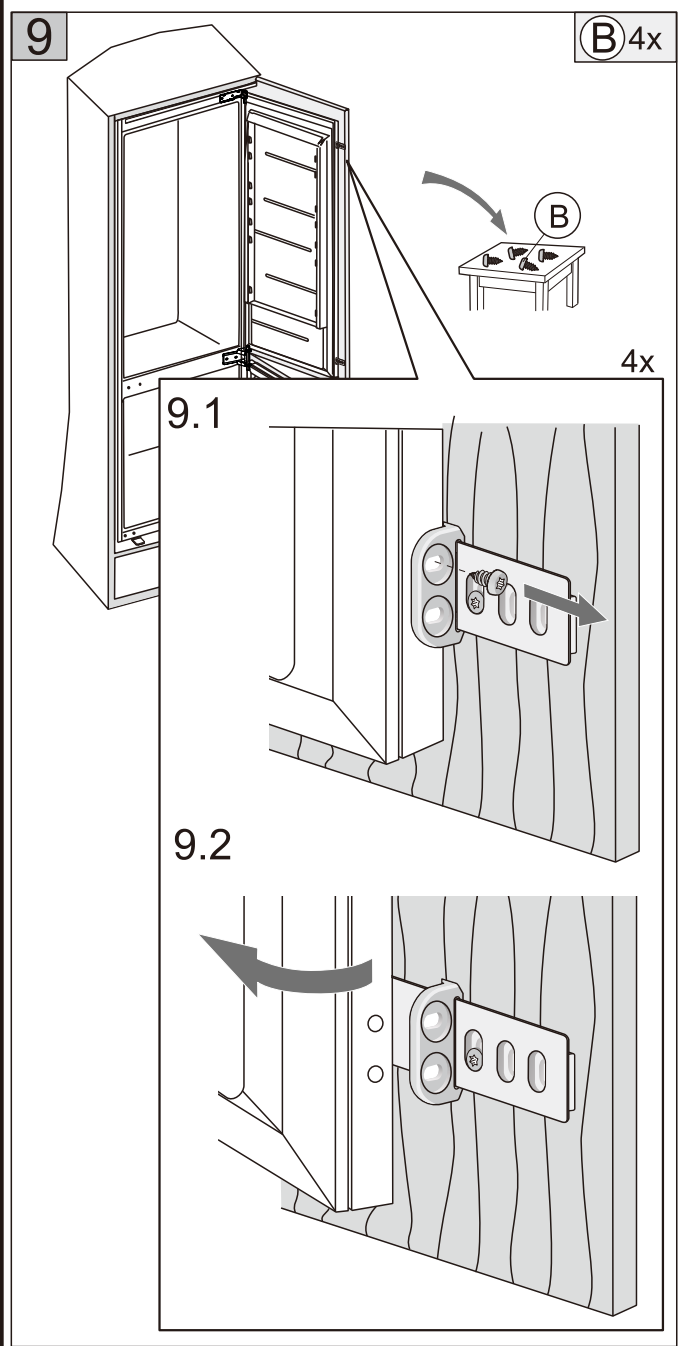
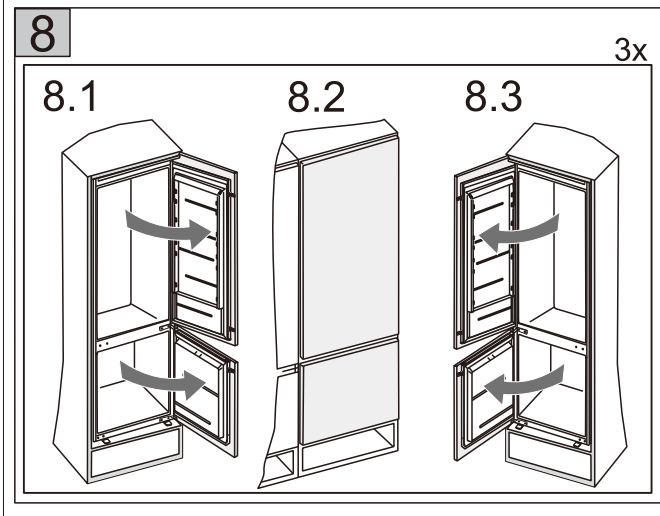
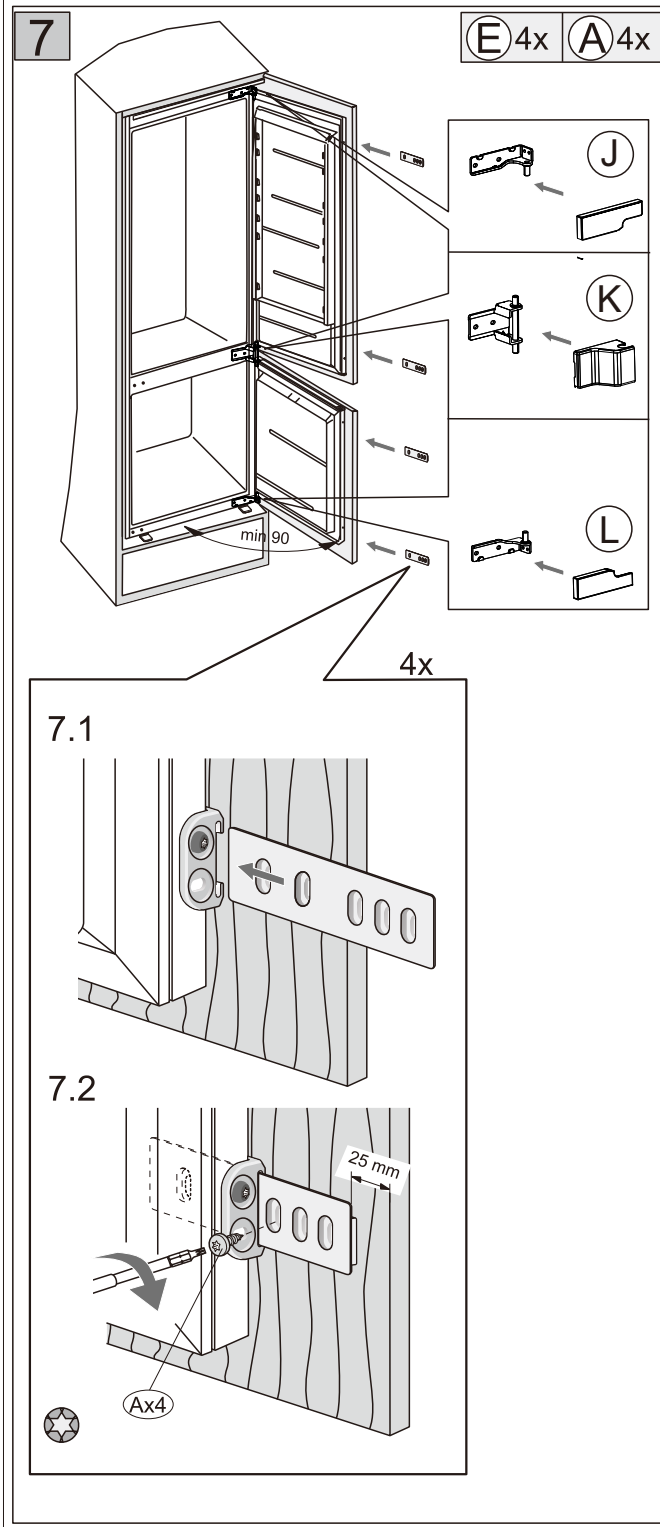
6.2

6.3

Bx4

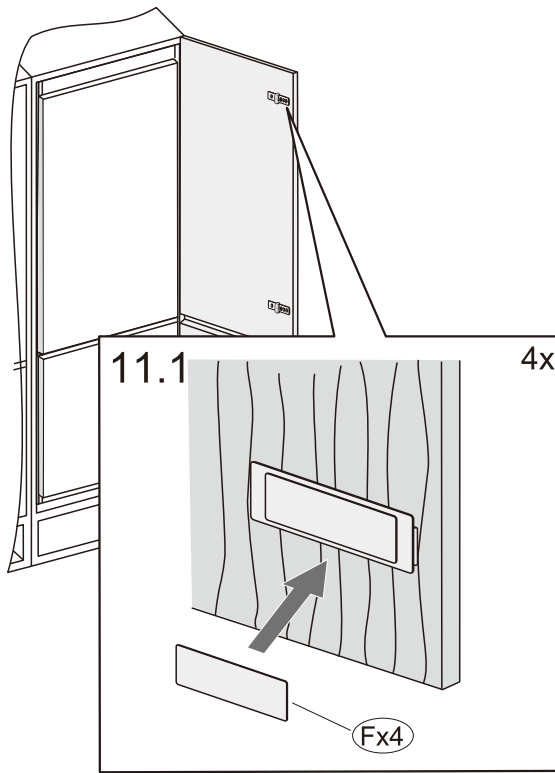
(B)





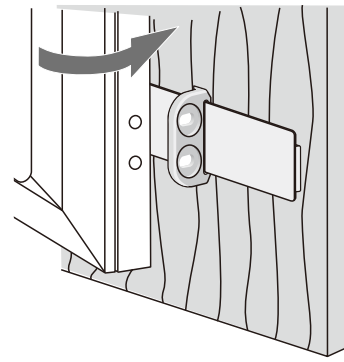
11

F 4x B 8x

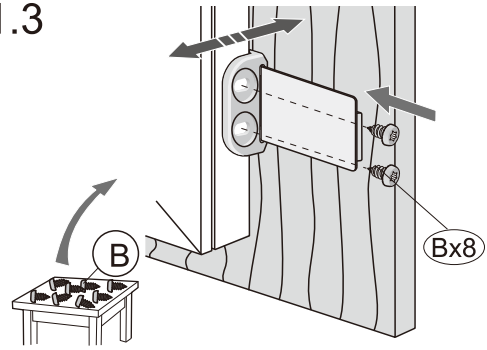


11.2

8x



11.3



b

